



December 2020

Suspension Identification Simplified With **Xact Search**

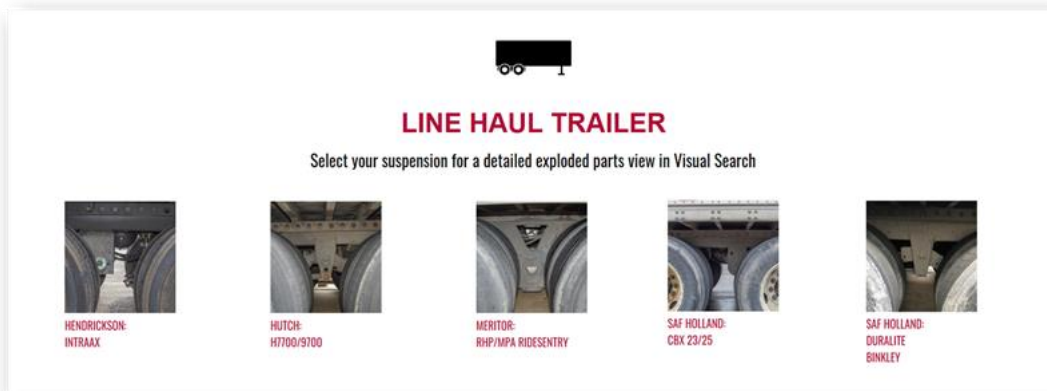
In last month's issue of **Xpress In Focus**, we highlighted the **Xact Search** Brake Shoe Kit Selector tool. This month, we are focusing on the **Xact Search** [Suspension Identification](#) tool which offers a quick and easy way to not only identify the suspension on your vehicle, but to find the exact replacement part you need for that suspension application.

With the various types of suspensions and suspension components on the road, there can be some confusion when it comes to finding the part that is right for you. With the [Suspension Identification](#) tool, visual clues are provided to help you narrow down your search in just a few clicks. The tool is a great resource to use over the counter with your customers, as you help them find what suspension part they need.

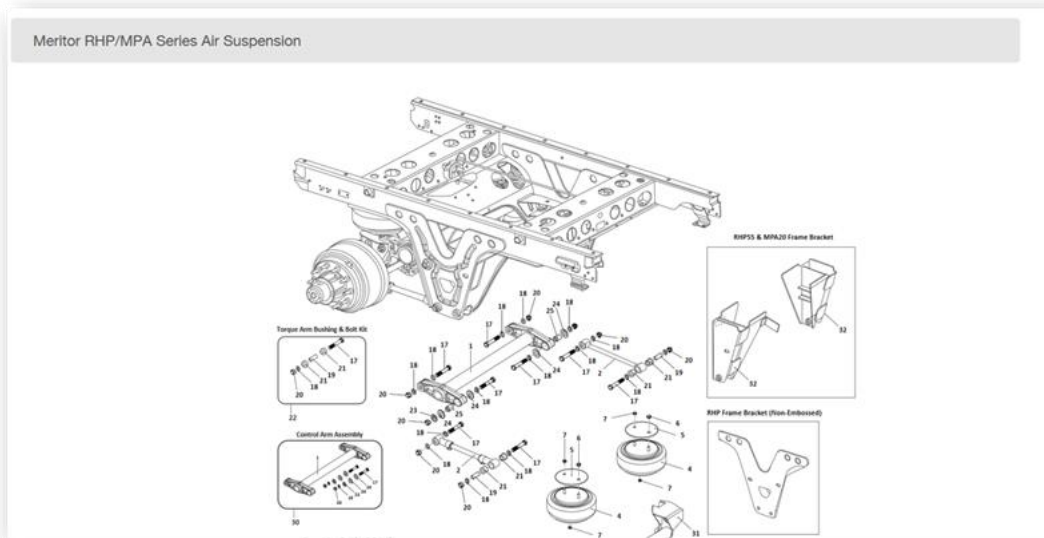
The first step is selecting your application.



From there, you will see a series of images of some of the most popular suspensions on the road today. Each suspension has identifiable features that will help you match it with the suspension on your truck or trailer.



Once you have selected your suspension, the tool will provide a detailed exploded parts view of that suspension in [Visual Search](#). Within Visual Search, you can click or select the individual components to find what you are looking for.



Xact Search is available on MeritorPartsXpress.com for both logged-in and non-logged in users. In addition to the [Suspension Identification](#) tool, you will also find **Xact Search** for hydraulic brake rotors and calipers, king pin kits, Meritor Tire Inflation System (MTIS) and brake shoe kits. To find the exact parts you need, visit MeritorPartsXpress.com today!



For even quicker access, add the MeritorPartsXpress.com shortcut to your mobile device.

All of the site features and parts information you need is right at your fingertips. Take **Meritor Parts Xpress** on-the-go by installing the shortcut icon to your Apple® or Android® mobile device. [Click here](#) for step-by-step instructions.

CONTACT US

What are some key topics that **YOU** would like to know more about? Let us know!



Email us at MeritorPartsXpress@Meritor.com.



[watch us on YouTube](#) | [follow us on Facebook](#) | [forward to a friend](#)

Copyright © 2020, All rights reserved.

Our mailing address is:

Meritor
7975 Dixie Highway
Florence, Kentucky 41042



[unsubscribe from all emails](#) | [update subscription preferences](#)